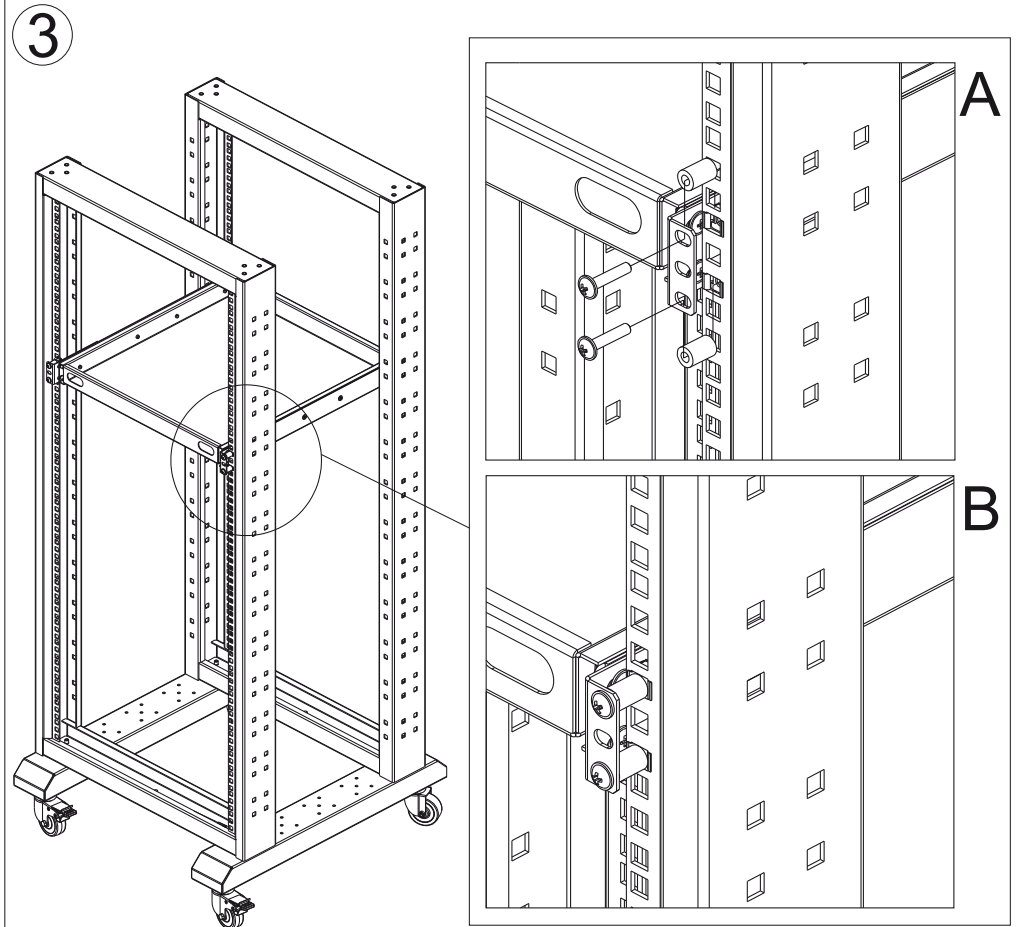
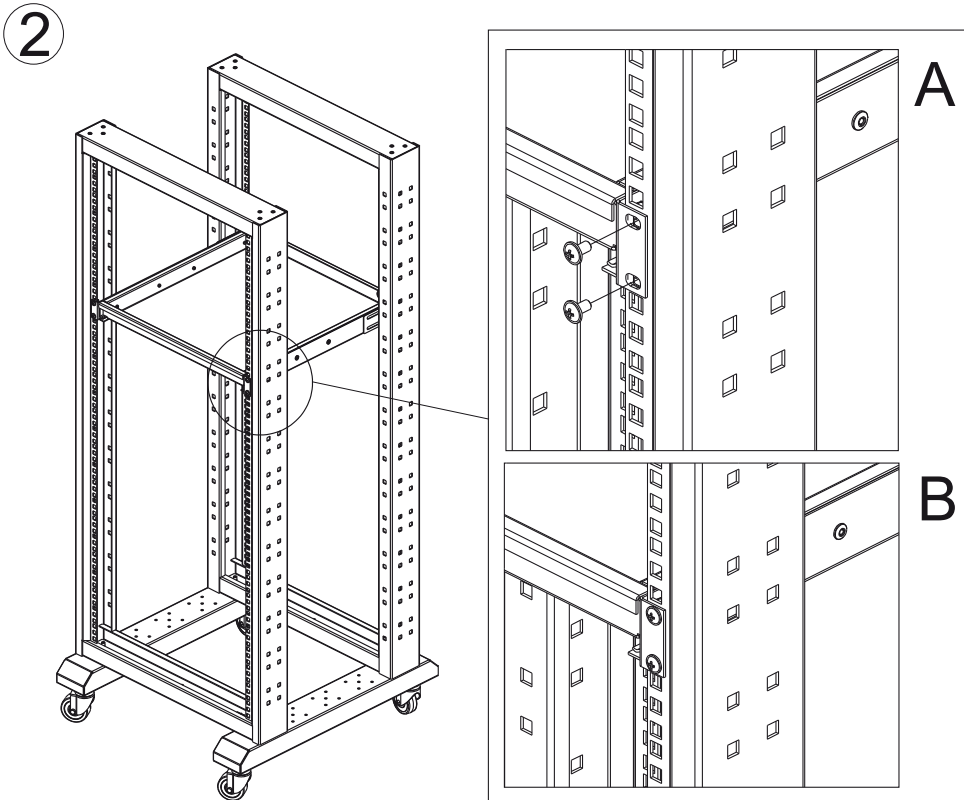
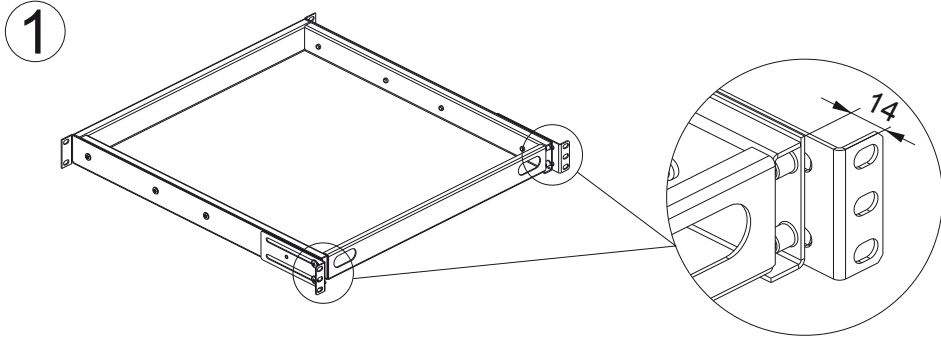


Installation set for mounting DP-PV-02 to RS FRAMES



BOX

